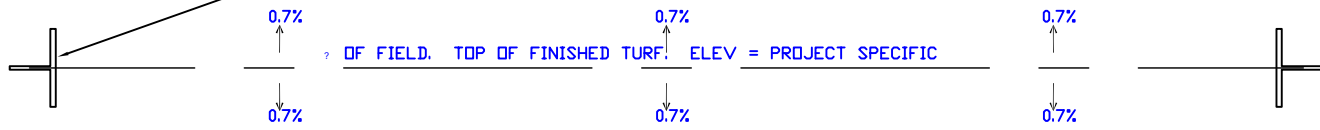
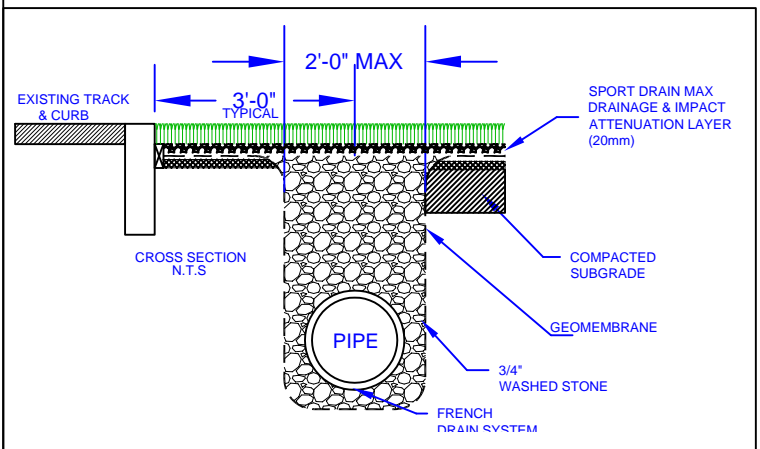


PLACE & COMPACT 2 INCHES OF LEVELING COURSE MATERIAL & GRADE MATERIAL AS SPECIFIED TO ALLOW FOR INSTALLATION OF SPORT DRAINMAX DRAINAGE & IMPACT SYNTHETIC TURF SYSTEM.
 AREA = ____ SQ.FT.



FOR CONCEPTUAL PURPOSES
 N.T.S.

DETAIL "A"



Recycled Foam Technologies

TITLE			
GRADING AND DRAINAGE PLAN			
DRAWN	CHK'D	APP'D	RELEASE
GRS			—
DATE	DATE	DATE	
12/6/08			
		SIZE	SHEET
		A	1 OF 1

All trademarks, service marks and logos displayed are registered or unregistered trademarks of Recycled Foam Technologies. These trademarks may not be used without written consent. Any unauthorized use of any trademarks, service marks, or logos may be a violation trademark laws.